

LD INTERFACE (EXTERNAL VIEW)

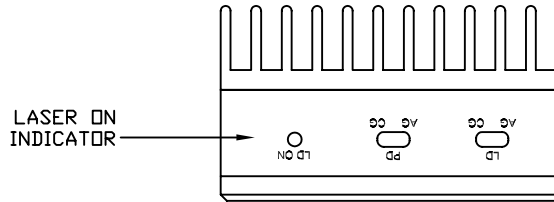
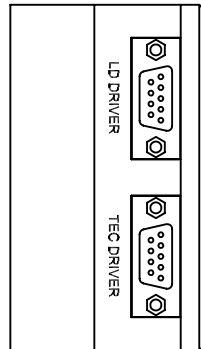


- PIN SIGNAL
- 1 INTERLOCK (FOR LDC500)
 - 5 INTERLOCK RTN (FOR LDCs)
 - 7 LASER CATHODE (WHEN ANODE GND)
 - 8 LASER ANODE (WHEN CATHODE GND)
 - 3 LASER GND (CASE)
 - 2 PHOTODIODE CATHODE
 - 4 PHOTODIODE ANODE
 - 6 VLD (CATHODE)
 - 9 VLD (ANODE)

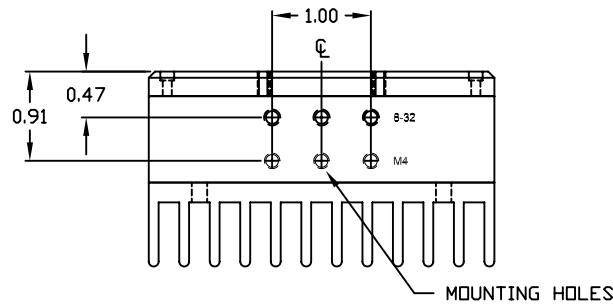
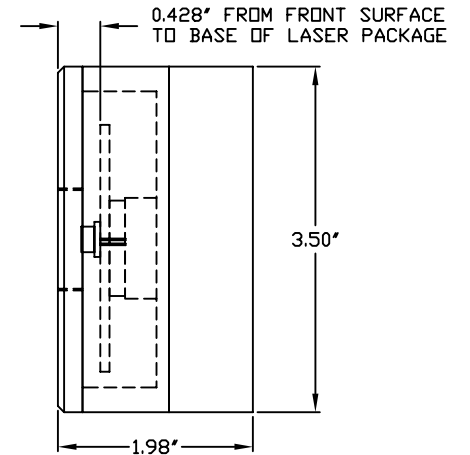
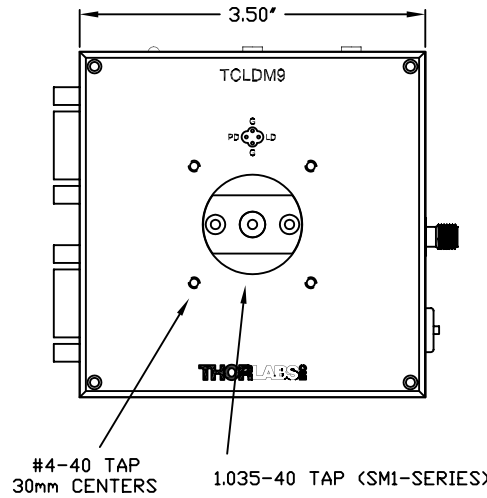
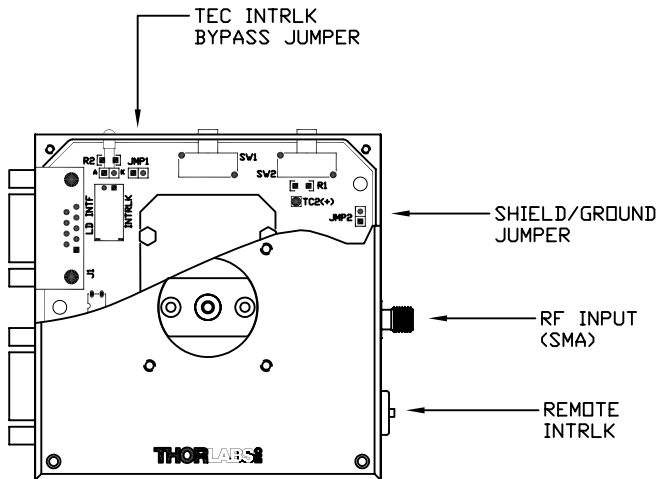
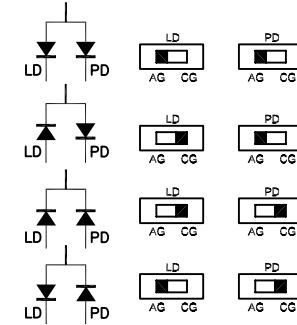
TEC INTERFACE (EXTERNAL VIEW)



- PIN SIGNAL
- 4 +TEC
 - 5 -TEC (TEC INTRLK RTN)
 - 1 TEC INTRLK (FOR TEDs)
 - 2 +THERMISTOR
 - 3 -THERMISTOR
 - 7 -AD590
 - 9 +AD590
 - 6 n.c.
 - 8 n.c.



SET LD & PD SWITCHES ACORDING THE THE LASER TYPE AS SHOWN BELOW:



INFORMATION ONLY, NOT FOR MANUFACTURING

THORLABS		PO BOX 366 NEWTON NJ	
TITLE ENGINEERING SUPPORT DRAWING			
TOL: X.XXX=+/-0.005 X.XX=+/-0.010 ANGULAR +/-30'			
MATERIAL			WHERE USED
DRAWN RDS	ENGR. SR	APPROVED SR	
DATE 10/2/97	REV D	SIZE B	SHEET 1 OF 1
DWG NO. 1981-E01	PART NO. TCLDM9		